

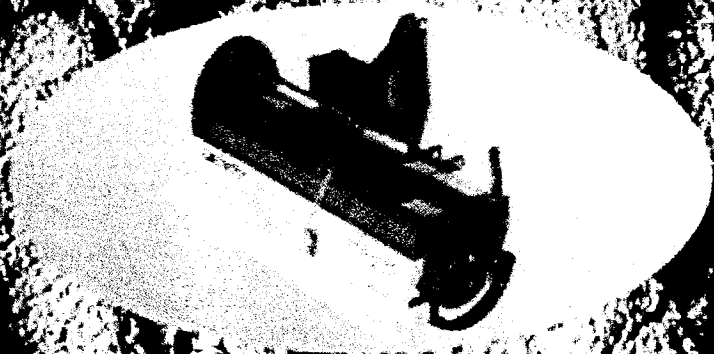
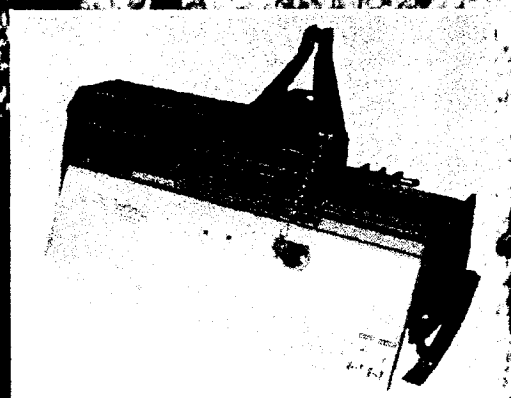
TECHNICAL BOOK

ROTARY TYPING

TYPEWRITER

HOLWAY

WURTTM



DELMONICO



Farm & garden equipment manufacturer

DelMorino

Del Morino srl , v.Caroni di Sotto 19,
I-52033 Caprese Michelangelo AR Italy
Ph: +39-575-791059 Fax: +39-575-791210
E.mail: 100710.3101@compuserve.com
http://www.Italia.com/DelMorino
New E.Mail: delmorin@vinf.ats.it

URT ROTARY TILLER – SPARE PARTS LIST

REF.	DESCRIPTION	CODE	96		114		132		150		168	186	204
			E/F	E/O	E/F	E/O	E/F	E/O	E/F	E/O	H		
01	LEFT SIDE	URT189VD	1	1	1	1	1	1	1	1			
01*	LEFT SIDE DC	URT190VD	1		1		1		1				
01	LEFT SIDE	URT221VD									1	1	1
01*	LEFT SIDE DC	URT222VD									1	1	1
02	RIGHT SIDE	URT188VD	1	1	1	1	1	1	1	1			
02	RIGHT SIDE	URT220VD									1	1	1
03	DECK	URT057AVD	1	1									
03	DECK	URT057BVD			1	1							
03	DECK	URT057CVD					1	1					
03	DECK	URT057DVD							1	1			
03	DECK	URT072AVD									1		
03	DECK	URT072BVD										1	
03	DECK	URT072CVD											1
04	GEAR BOX SUPPORT	URT069VD	1	1	1	1	1	1	1	1			
05	HINGE	URT058AVD	1	1									
05	HINGE	URT058BVD			1	1							
05	HINGE	URT058CVD					1	1					
05	HINGE	URT058DVD							1	1			
05	HINGE	URT058EVD									1		
05	HINGE	URT058FVD										1	
05	HINGE	URT058GVD											1
06	HEXAGON PROTECTION	URT059AVD		1									
06	HEXAGON PROTECTION	URT059BVD				1							
06	HEXAGON PROTECTION	URT059CVD						1					
06	HEXAGON PROTECTION	URT059DVD								1			
07	HEXAGONAL SHAFT	URT195AD	1	1									
07	HEXAGONAL SHAFT	URT195BD			1	1							
07	HEXAGONAL SHAFT	URT195CD					1	1					
07	HEXAGONAL SHAFT	URT195DD							1	1			
07	HEXAGONAL SHAFT	URT225AD									1		
07	HEXAGONAL SHAFT	URT225BD										1	
07	HEXAGONAL SHAFT	URT225BD											1
08	HOE SHAFT	URT061AVD	1	1									
08	HOE SHAFT	URT061BVD			1	1							
08	HOE SHAFT	URT061CVD					1	1					
08	HOE SHAFT	URT061DVD							1	1			
08	HOE SHAFT	URT077AVD									1		
08	HOE SHAFT	URT077BVD										1	
08	HOE SHAFT	URT077CVD											1
09	CHAIN CARTER	URT060VD	1	1	1	1	1	1	1	1			
09	CHAIN CARTER	URT076VD									1	1	1
10	III° POINT HITCH	URT051VD	1	1	1	1	1	1	1	1	1	1	1
11	GEAR BOX SUPP. LOCK	URT056VD	1	1	1	1	1	1	1	1			
12	U-BOLT CHAIN	URT052VD	1	1	1	1	1	1	1	1	1	1	1
13	HINGE PIN	URT242AZD	1	1									
13	HINGE PIN	URT242BZD			1	1							

REF.	DESCRIPTION	CODE	96		114		132		150		168	186	204
			E/F	E/O	E/F	E/O	E/F	E/O	E/F	E/O	H		
13	HINGE PIN	URT242CZD					1	1					
13	HINGE PIN	URT242DZD							1	1			
13	HINGE PIN	URT242EZD									1		
13	HINGE PIN	URT242FZD										1	
13	HINGE PIN	URT242GZD											1
14	HEXAGON PROTECTION	URT070AVD	1										
14	HEXAGON PROTECTION	URT070BVD			1								
14	HEXAGON PROTECTION	URT070CVD					1						
14	HEXAGON PROTECTION	URT070DVD							1				
14	HEXAGON PROTECTION	URT074AVD									1		
14	HEXAGON PROTECTION	URT074BVD										1	
14*	HEXAGON PROTEC. DC	URT071AVD	1										
14*	HEXAGON PROTEC. DC	URT071BVD			1								
14*	HEXAGON PROTEC. DC	URT071CVD					1						
14*	HEXAGON PROTEC. DC	URT071DVD							1				
14*	HEXAGON PROTEC. DC	URT075AVD									1		
14*	HEXAGON PROTEC. DC	URT075BVD										1	
14*	HEXAGON PROTEC. DC	URT075CVD											1
15	SPACER	HOL210ZD	2	2	2	2	2	2	2	2	2	2	2
16	LEFT SLIDE	URT054VD	1	1	1	1	1	1	1	1	1	1	1
17	RIGHT SLIDE	URT053VD	1	1	1	1	1	1	1	1	1	1	1
18	SLIDE REGULATOR	URT162VD	2	2	2	2	2	2	2	2	2	2	2
19	LEFT HOE	HOL215D	10	10	12	12	14	14	16	16	18	20	22
19**	LEFT HOE	HOL215D	15	15	18	18	21	21	24	24	27	30	33
20	RIGHT HOE	HOL154D	10	10	12	12	14	14	16	16	18	20	22
20**	RIGHT HOE	HOL154D	15	15	18	18	21	21	24	24	27	30	33
21	HEXAGON SUPPORT	URT064VD	1	1	1	1	1	1	1	1			
21	HEXAGON SUPPORT	URT080VD									1	1	1
22	LEFT SUPPORT	URT063VD	1	1	1	1	1	1	1	1			
22	LEFT SUPPORT	URT079VD									1	1	1
23	RIGHT SUPPORT	URT062VD	1	1	1	1	1	1	1	1			
23	RIGHT SUPPORT	URT078VD									1	1	1
24	LEFT SUPPORT COVER	URT065VD	1	1	1	1	1	1	1	1			
24	LEFT SUPPORT COVER	URT081VD									1	1	
25	PINION 1" Z=10	URT198D	1	1	1	1	1	1	1	1			
25	PINION 1" ¼ Z=8	URT227D									1	1	1
26	PINION 1" Z=16	URT199D	1	1	1	1	1	1	1	1			
26	PINION 1" ¼ Z=13	URT228D									1	1	1
27	CHAI NTENDER	URT241D	1	1	1	1	1	1	1	1	1	1	1
28	CHAI NTENDER SHAFT	URT197D	1	1	1	1	1	1	1	1			
28	CHAI NTENDER SHAFT	URT226D									1	1	1
29	SUPPORT ARM	HOL064ZD	1	1	1	1	1	1	1	1	1	1	1
30	THREADED PLATE	URT186ZD		1		1		1		1			
31	SHIFTING SCREW	URT196AD		1									
31	SHIFTING SCREW	URT196BD				1							
31	SHIFTING SCREW	URT196CD						1					
31	SHIFTING SCREW	URT196DD								1			
32	SHIFTING KEY	URT066ZD		1		1		1		1			
33	PROTECTION	URT202AZD		2									
33	PROTECTION	URT202BZD				2							
33	PROTECTION	URT202CZD						2					
33	PROTECTION	URT202DZD								2			
34	HITCH PIN	URT211ZD	2	2	2	2	2	2	2	2	2	2	2

REF.	DESCRIPTION	CODE	96		114		132		150		168	186	204
			E/F	E/O	E/F	E/O	E/F	E/O	E/F	E/O	H		
35	SPACER	URT205D	1	1	1	1	1	1	1	1			
35	SPACER	URT233D									1	1	1
36	BEARING 6307 IRS	41000001	1	1	1	1	1	1	1	1			
36	BEARING 2307 IRS	41000003									1	1	1
37	BEARING 6009 IRS	41000002	2	2	2	2	2	2	2	2			
37	BEARING 2209 IRS	41000009									1	1	1
38	BEARING 4209 IRS	41000004									1	1	1
39	OIL SEAL 45X72X10	41100001	1	1	1	1	1	1	1	1			
39	OIL SEAL 55X75X10	41100004									1	1	1
40	OIL SEAL 50X65X8	41100002	1	1	1	1	1	1	1	1			
40	OIL SEAL 55X78X10	41100005									1	1	1
41	OIL SEAL 50X68X8	41100003	1	1	1	1	1	1	1	1			
41	OIL SEAL 50X72X10	41100006									1	1	1
42	O-RING 3287	41200001	1	1	1	1	1	1	1	1			
42	O-RING 3325	41200002									1	1	1
43	CHAIN 1" 16A1 42 maglie+G	40800001	1	1	1	1	1	1	1	1			
43	CHAIN 1"1/4 20A1 34 maglie	40800002									1	1	1
44	CHAINTENDER SPRING	URT160D	1	1	1	1	1	1	1	1	1	1	1
45	SEEGERφ 75 UNI 7437	40400001	1	1	1	1	1	1	1	1			
45	SEEGERφ 85 UNI 7437	40400004									1	1	1
46	SEEGERφ 45 UNI 7435	40400002	1	1	1	1	1	1	1	1	1	1	1
47	SEEGERφ 80 UNI 7437	40400003	2	2	2	2	2	2	2	2	1	1	1
47/1	SEEGERφ 90 UNI 7437	40400005									1	1	1
48	PIN φ10	41300001	4	4	4	4	4	4	4	4	4	4	4
49	SPRING PIN φ3	41400001	1	1	1	1	1	1	1	1	1	1	1
50	Genovese Chain φ5.9 16 links	40900001	1	1	1	1	1	1	1	1			
50	Genovese Chain φ5.9 17 links	40900011									1	1	1
51	PLUG 1/2"	41700001	2	2	2	2	2	2	2	2	2	2	2
52	COPPER WASHER 1/2"	40300001	2	2	2	2	2	2	2	2	2	2	2
53	GREASER UNI 7663-A-M6	40600001	1	1	1	1	1	1	1	1	1	1	1
54	LOCKING M16	41800001		2		2		2		2			
55	PROTECTION	41900001	1	1	1	1	1	1	1	1	1	1	1
56	GEAR BOX RV8	42000001	1	1	1	1	1	1	1	1			
56	GEAR BOX RV9	42000002									1	1	1
57	CARTER OIL SEAL	URT203D	1	1	1	1	1	1	1	1			
57	CARTER OIL SEAL	URT231D									1	1	1
58	SUPPORT OIL SEAL	URT204D	2	2	2	2	2	2	2	2	1	1	1
59	SUPPORT OIL SEAL	URT232D									1	1	1
60	SPACER	URT237ZD		4		4		4		4			
61	PIN φ10	41500001	1	1	1	1	1	1	1	1	1	1	1
62	Self Locking Nut M30x1.5	40700001	1	1	1	1	1	1	1	1	1	1	1
63	Self Locking Nut M40x1.5	40700002	1	1	1	1	1	1	1	1	1	1	1
64	NUT M12 UNI 5448	40200001		1		1		1		1			
65	SCREW M8X20 UNI 5931	40100001	10	8	10	8	10	8	10	8	10	10	10
66	SCREW M8X25 UNI 5931	40100002	2	4	2	4	2	4	2	4	2	2	2
67	SCREW M8X35 UNI 5939	40100057		4		4		4		4			
68	SCREW M10X25 UNI 5739	40100043	2	4	2	4	2	4	2	4	2	2	2
69	SCREW M10X30 UNI 5739	40100012	9	13	9	13	9	13	9	13	9	9	13
69*	SCREW M10X30 UNI 5739	40100012	13		13		13		13		13	13	
70	SCREW M10X50 UNI 5739	40100006	4		4		4		4		4	4	4
71	SCREW M12X30 UNI 5739	40100014	12	10	12	10	12	10	12	10	16	16	16
72	SCREW M12X35 UNI 5739	40100015	6	6	6	6	6	6	6	6	6	6	6
73	SCREW M12X45 UNI 5737	40100009	2	4	2	4	2	4	2	4	2	2	2

REF.	DESCRIPTION	COD.	96		114		132		150		168	186	204
			E/F	E/O	E/F	E/O	E/F	E/O	E/F	E/O			
74	Screw M12X35 UNI 5738 T.P	40100010	40	40	48	48	56	56	64	64	72	80	88
74**	Screw M12X35 UNI 5738 T.P	40100010	60	60	72	72	84	84	96	96	108	120	132
75	WASHER ϕ 8 UNI 6592	40300002	16	16	16	16	16	16	16	16	16	16	16
76	WASHER ϕ 10 UNI 6592	40300003	29	37	29	37	29	37	29	37	29	29	37
76*	WASHER ϕ 10 UNI 6592	40300003	37		37		37		37		37	37	
77	WASHER ϕ 12 UNI 6592	40300004	37	39	37	39	37	39	37	39	39	39	39
78	WASHER ϕ 12 Fiat 10188	40300005	40	40	48	48	56	56	64	64	72	80	88
78**	WASHER ϕ 12 Fiat 10188	40300005	60	60	72	72	84	84	96	96	108	120	132
79	WASHER ϕ 16 UNI 6592	40300006	2	2	2	2	2	2	2	2			
80	WASHER ϕ 20 UNI 6592	40300007	2	4	2	4	2	4	2	4	2	2	2
81	NUT Conelock M8 DIN 980	40200002	12	12	12	12	12	12	12	12	12	12	12
82	NUT Conelock M10 DIN 980	40200003	20	16	20	16	20	16	20	16	20	20	24
82*	NUT Conelock M10 DIN 980	40200003	24		24		24		24		24	24	
83	Screw M8x16 UNI 5739	40200042	4		4		4		4		4	4	4
84	NUT M10 UNI 5588	40200005		7		7		7		7			
85	NUT Conelock M12 DIN 980	40200006	19	19	19	19	19	19	19	19	19	19	19
86	NUT M12 UNI 5587 P.F.	40200007	40	40	48	48	56	56	64	64	72	80	88
86**	NUT M12 UNI 5587 P.F.	40200007	60	60	72	72	84	84	96	96	108	120	132
87	NUT Conelock M16 DIN 980	40200008	2		2		2		2				
88	Std Cardan shaft III°Cat l=700	42600016	1	1	1	1	1	1	1	1	1	1	1
88#	Slip clutch Cardan s. III°cat	42600017	1	1	1	1	1	1	1	1	1	1	1
88#	Free wheel Cardan s III° cat	42600018	1	1	1	1	1	1	1	1	1	1	1
88#	Bolt Cardan s. III° cat l=700	42600019	1	1	1	1	1	1	1	1	1	1	1
89	Identification plate		1	1	1	1	1	1	1	1	1	1	1
90	Knob	42200001		1		1		1		1			
91	Spacer plate	URT236VD									1	1	1
92	Screw M12x25 UNI 5739	40100013	8	5	8	5	8	5	8	5	4	4	4
93	Washer ϕ 10 UNI 1751	40300027		2		2		2		2			
94	Washer ϕ 12 UNI 1751	40300008	2	2	2	2	2	2	2	2	2	2	2
95	Nut M20 UNI 5589	40200033		4		4		4		4			

* : IN ALTERNATIVE WITH THE SAME POSITIO WITHOUT * FOR "DC" VERSION

** : IN ALTERNATIVE WITH THE SAME POSITIO WITHOUT ** FOR "6 HOES" VERSION

: IN ALTERNATIVE WITH THE SAME POSITIO WITHOUT



Farm & garden equipment manufacturer

DelMorino

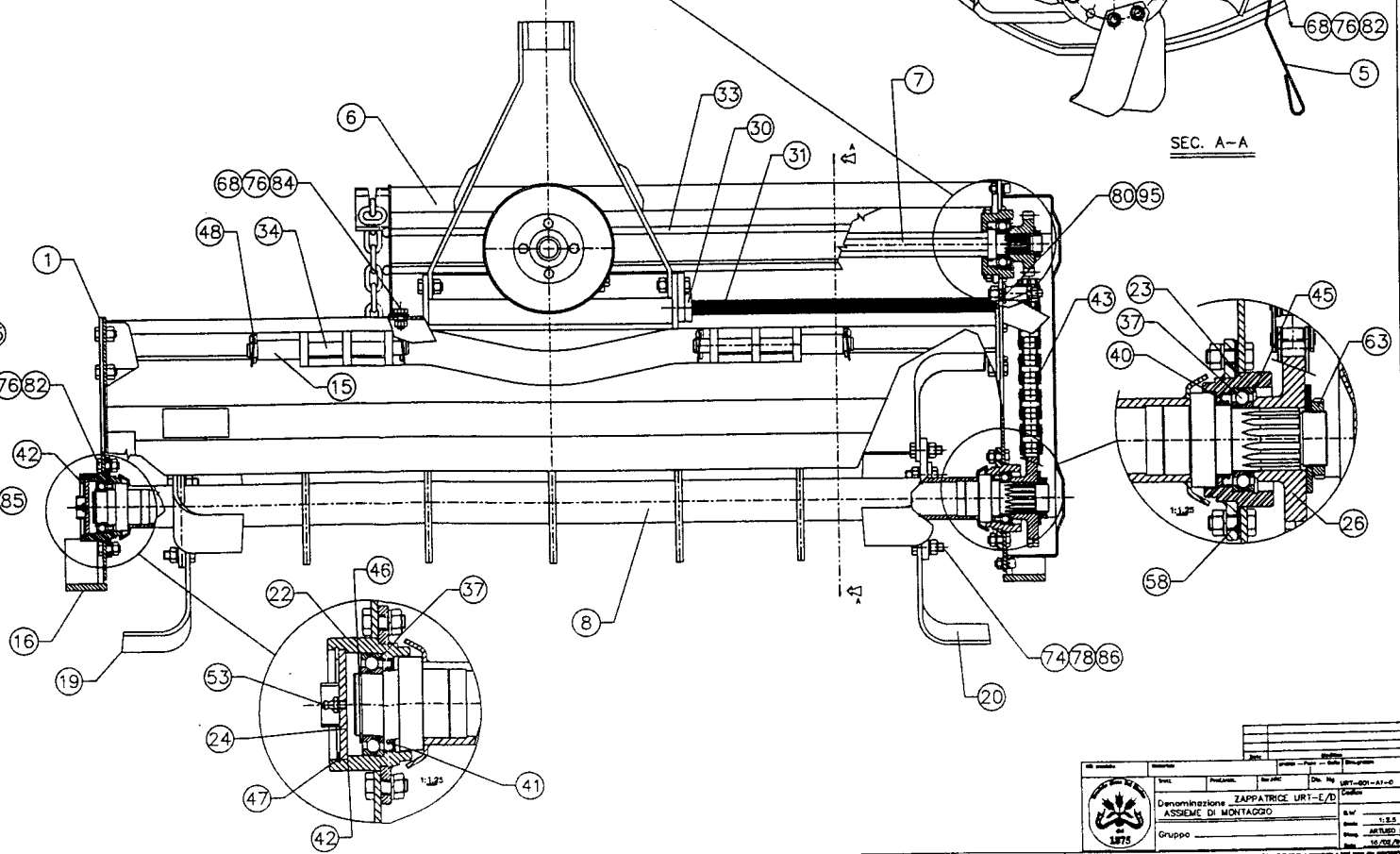
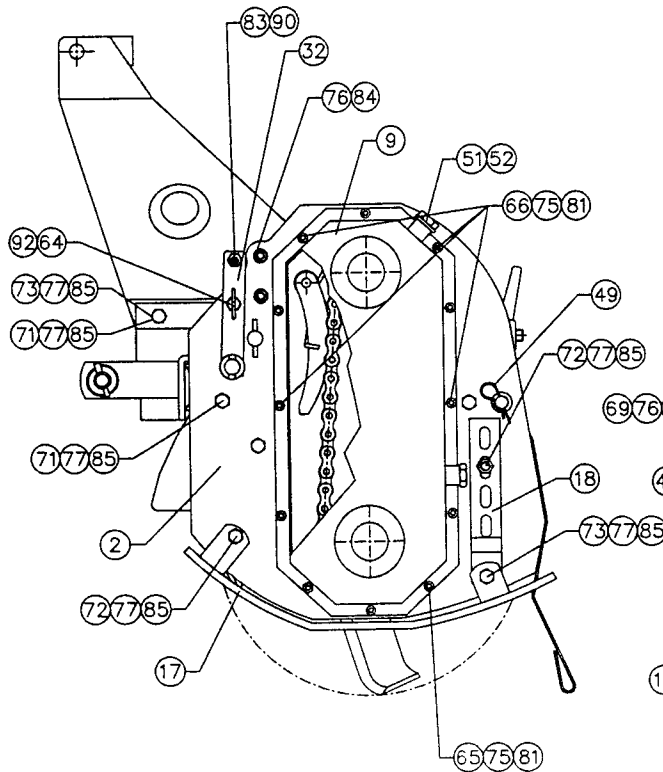
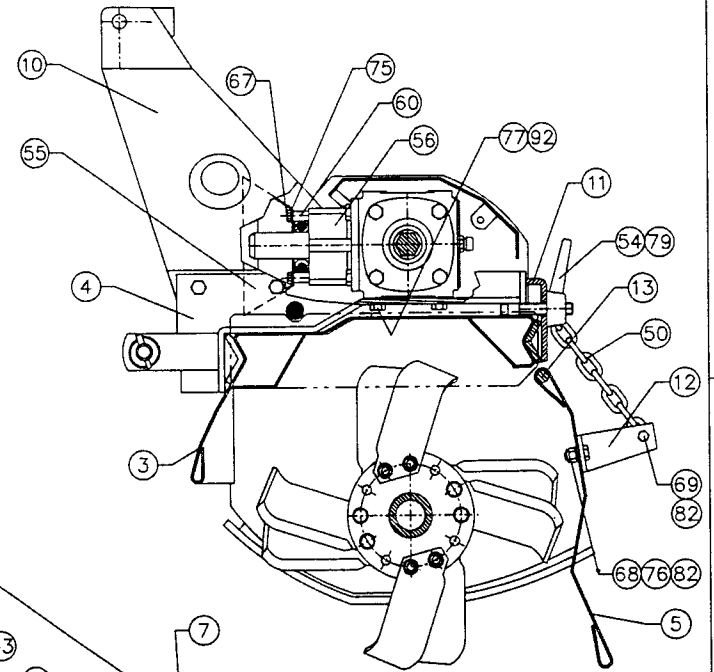
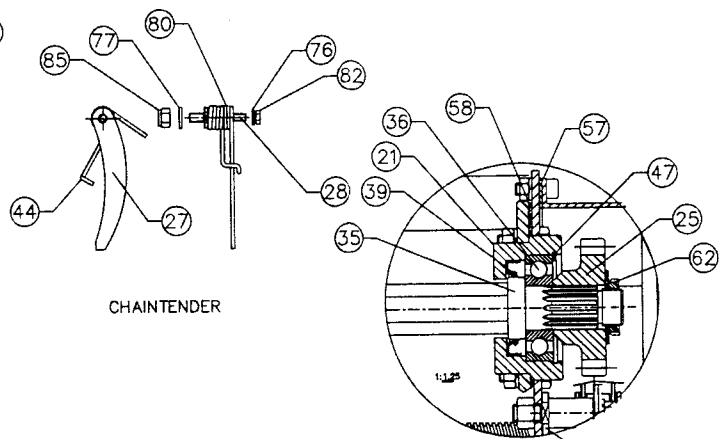
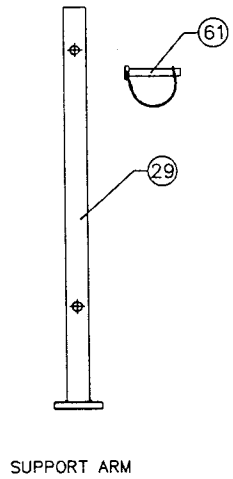
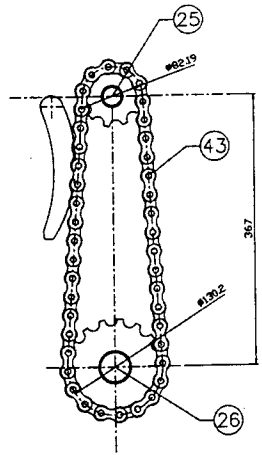
Del Morino srl , v. Caroni di Sotto 19,
I-52033 Caprese Michelangelo AR Italy
Ph: +39-575-791059 Fax: +39-575-791210
E.mail: 100710.3101@compuserve.com
<http://www.Italia.com/Delmorino>
New E.Mail: delmorin@vinf.ats.it

ROTARY TILLER TYPE URT – CODE COMPARISION			
REF.	DESCRIPTION	NEW CODE	OLD CODE
01	LEFT SIDE	URT189VD	60045
01	LEFT SIDE DC	URT190VD	
01	LEFT SIDE	URT221VD	60145
01	LEFT SIDE DC	URT222VD	
02	RIGHT SIDE	URT188VD	60057
02	RIGHT SIDE	URT220VD	60157
03	DECK	URT057AVD	60066
03	DECK	URT057BVD	60166
03	DECK	URT057CVD	60266
03	DECK	URT057DVD	60366
03	DECK	URT072AVD	60466
03	DECK	URT072BVD	
03	DECK	URT072CVD	
04	GEAR BOX SUPPORT	URT069VD	60006
05	HINGE	URT058AVD	60063
05	HINGE	URT058BVD	60163
05	HINGE	URT058CVD	60263
05	HINGE	URT058DVD	60363
05	HINGE	URT058EVD	60463
05	HINGE	URT058FVD	
05	HINGE	URT058GVD	
06	HEXAGON PROTECTION	URT059AVD	60016
06	HEXAGON PROTECTION	URT059BVD	60116
06	HEXAGON PROTECTION	URT059CVD	60216
06	HEXAGON PROTECTION	URT059DVD	60316
07	HEXAGONAL SHAFT	URT195AD	60427
07	HEXAGONAL SHAFT	URT195BD	60527
07	HEXAGONAL SHAFT	URT195CD	60627
07	HEXAGONAL SHAFT	URT195DD	60727
07	HEXAGONAL SHAFT	URT225AD	60827
07	HEXAGONAL SHAFT	URT225BD	
07	HEXAGONAL SHAFT	URT225BD	
08	HOE SHAFT	URT061AVD	60036
08	HOE SHAFT	URT061BVD	60136
08	HOE SHAFT	URT061CVD	60236
08	HOE SHAFT	URT061DVD	60336
08	HOE SHAFT	URT077AVD	60436
08	HOE SHAFT	URT077BVD	
08	HOE SHAFT	URT077CVD	
09	CHAIN CARTER	URT060VD	60010
09	CHAIN CARTER	URT076VD	60110
10	III° POINT HITCH	URT051VD	60007
11	GEAR BOX SUPP. LOCK	URT056VD	60065
12	U-BOLT CHAIN	URT052VD	60056
13	HINGE PIN	URT242AZD	60109
13	HINGE PIN	URT242BZD	60209
13	HINGE PIN	URT242CZD	60309
13	HINGE PIN	URT242DZD	60409
13	HINGE PIN	URT242EZD	60509

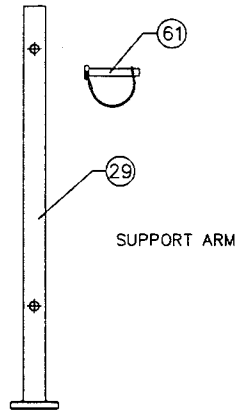
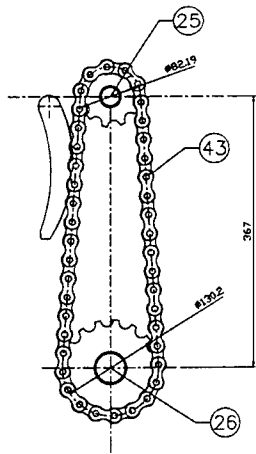
REF.	DESCRIPTION	NEW CODE	OLD CODE
13	HINGE PIN	URT242FZD	
13	HINGE PIN	URT242GZD	
14	HEXAGON PROTECTION	URT070AVD	60058
14	HEXAGON PROTECTION	URT070BVD	60158
14	HEXAGON PROTECTION	URT070CVD	60258
14	HEXAGON PROTECTION	URT070DVD	60358
14	HEXAGON PROTECTION	URT074AVD	60458
14	HEXAGON PROTECTION	URT074BVD	
14	HEXAGON PROTEC. DC	URT071AVD	
14	HEXAGON PROTEC. DC	URT071BVD	
14	HEXAGON PROTEC. DC	URT071CVD	
14	HEXAGON PROTEC. DC	URT071DVD	
14	HEXAGON PROTEC. DC	URT075AVD	
14	HEXAGON PROTEC. DC	URT075BVD	
14	HEXAGON PROTEC. DC	URT075CVD	
15	SPACER	HOL210ZD	
16	LEFT SLIDE	URT054VD	60050
17	RIGHT SLIDE	URT053VD	60049
18	SLIDE REGULATOR	URT162VD	60047
19	LEFT HOE	HOL215D	60037
19	LEFT HOE	HOL215D	60037
20	RIGHT HOE	HOL154D	60034
20	RIGHT HOE	HOL154D	60034
21	HEXAGON SUPPORT	URT064VD	60119
21	HEXAGON SUPPORT	URT080VD	60219
22	LEFT SUPPORT	URT063VD	60038
22	LEFT SUPPORT	URT079VD	60138
23	RIGHT SUPPORT	URT062VD	60028
23	RIGHT SUPPORT	URT078VD	60128
24	LEFT SUPPORT COVER	URT065VD	60042
24	LEFT SUPPORT COVER	URT081VD	60142
25	PINION 1" Z=10	URT198D	60124
25	PINION 1" ¼ Z=8	URT227D	60224
26	PINION 1" Z=16	URT199D	60031
26	PINION 1" ¼ Z=13	URT228D	60131
27	CHAINTENDER	URT241D	60005
28	CHAINTENDER SHAFT	URT197D	60052
28	CHAINTENDER SHAFT	URT226D	
29	SUPPORT ARM	HOL064ZD	60003
30	THREADED PLATE	URT186ZD	60017
31	SHIFTING SCREW	URT196AD	60018
31	SHIFTING SCREW	URT196BD	60118
31	SHIFTING SCREW	URT196CD	60218
31	SHIFTING SCREW	URT196DD	60318
32	SHIFTING KEY	URT066ZD	60053
33	PROTECTION	URT202AZD	60015
33	PROTECTION	URT202BZD	60115
33	PROTECTION	URT202CZD	60215
33	PROTECTION	URT202DZD	60315
34	HITCH PIN	URT211ZD	60013
35	SPACER	URT205D	
35	SPACER	URT233D	
36	BEARING 6307 IRS	41000001	60121
36	BEARING 2307 IRS	41000003	60221
37	BEARING 6009 IRS	41000002	60029
37	BEARING 2209 IRS	41000009	60229

REF.	DESCRIPTION	NEW CODE	OLD CODE
38	BEARING 4209 1RS	41000004	60129
39	OIL SEAL 45X72X10	41100001	60120
39	OIL SEAL 55X75X10	41100004	60220
40	OIL SEAL 50X65X8	41100002	60030
40	OIL SEAL 55X78X10	41100005	60130
41	OIL SEAL 50X68X8	41100003	60039
41	OIL SEAL 50X72X10	41100006	60139
42	O-RING 3287	41200001	60054
42	O-RING 3325	41200002	60154
43	CHAIN 1" 16A1 42 maglie+G	40800001	60001
43	CHAIN 1"1/4 20A1 34 maglie	40800002	60101
44	CHAINTENDER SPRING	URT160D	60004
45	SEEGER ϕ 75 UNI 7437	40400001	60022
45	SEEGER ϕ 85 UNI 7437	40400004	60222
46	SEEGER ϕ 45 UNI 7435	40400002	60040
47	SEEGER ϕ 80 UNI 7437	40400003	60122
47/1	SEEGER ϕ 90 UNI 7437	40400005	
48	PIN ϕ 10	41300001	60012
49	SPRING PIN ϕ 3	41400001	
50	Genovese Chain ϕ 5.9 16 links	40900001	60014
50	Genovese Chain ϕ 5.9 17 links	40900011	
51	PLUG 1/2"	41700001	60011
52	COPPER WASHER 1/2"	40300001	
53	GREASER UNI 7663-A-M6	40600001	50029
54	LOCKING M16	41800001	60051
55	PROTECTION	41900001	60055
56	GEAR BOX RV8	42000001	60108
56	GEAR BOX RV9	42000002	60208
57	CARTER OIL SEAL	URT203D	60064
57	CARTER OIL SEAL	URT231D	60164
58	SUPPORT OIL SEAL	URT204D	60023
59	SUPPORT OIL SEAL	URT232D	60123
60	SPACER	URT237ZD	
61	PIN ϕ 10	41500001	60002
62	Self Locking Nut M30x1.5	40700001	60125
63	Self Locking Nut M40x1.5	40700002	60026
64	NUT M12 UNI 5448	40200001	
65	SCREW M8X20 UNI 5931	40100001	60046
66	SCREW M8X25 UNI 5931	40100002	
67	SCREW M8X35 UNI 5939	40100057	
68	SCREW M10X25 UNI 5739	40100043	
69	SCREW M10X30 UNI 5739	40100012	50017
70	SCREW M10X50 UNI 5739	40100006	60061
71	SCREW M12X30 UNI 5739	40100014	60043
72	SCREW M12X35 UNI 5739	40100015	60035
73	SCREW M12X45 UNI 5737	40100009	60048
74*	Screw M12X35 UNI 5738 T.P	40100010	60032
75	WASHER ϕ 8 UNI 6592	40300002	
76	WASHER ϕ 10 UNI 6592	40300003	
77	WASHER ϕ 12 UNI 6592	40300004	
78*	WASHER ϕ 12 Fiat 10188	40300005	60032
79	WASHER ϕ 16 UNI 6592	40300006	
80	WASHER ϕ 20 UNI 6592	40300007	
81	NUT Conelock M8 DIN 980	40200002	
82	NUT Conelock M10 DIN 980	40200003	

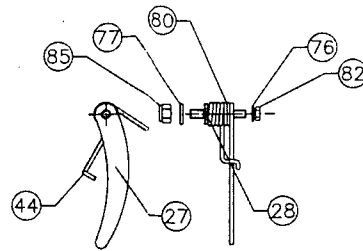
REF.	DESCRIPTION	NEW CODE	OLD CODE
83	Screw M8x16 UNI 5739	40200042	
84	NUT M10 UNI 5588	40200005	
85	NUT Conelock M12 DIN 980	40200006	
86*	NUT M12 UNI 5587 P.F.	40200007	60032
87	NUT Conelock M16 DIN 980	40200008	
88	Std Cardan shaft III°Cat l=700	42600016	
88	Slip clutch Cardan s. III°cat	42600017	
88	Free wheel Cardan s III° cat	42600018	
88	Bolt Cardan s. III° cat l=700	42600019	
89	Identification plate		
90	Knob	42200001	
91	Spacer plate	URT236VD	60067
92	Screw M12x25 UNI 5739	40100013	60069
93	Washer ϕ 10 UNI 1751	40300027	
94	Washer ϕ 12 UNI 1751	40300008	
95	Nut M20 UNI 5589	40200033	



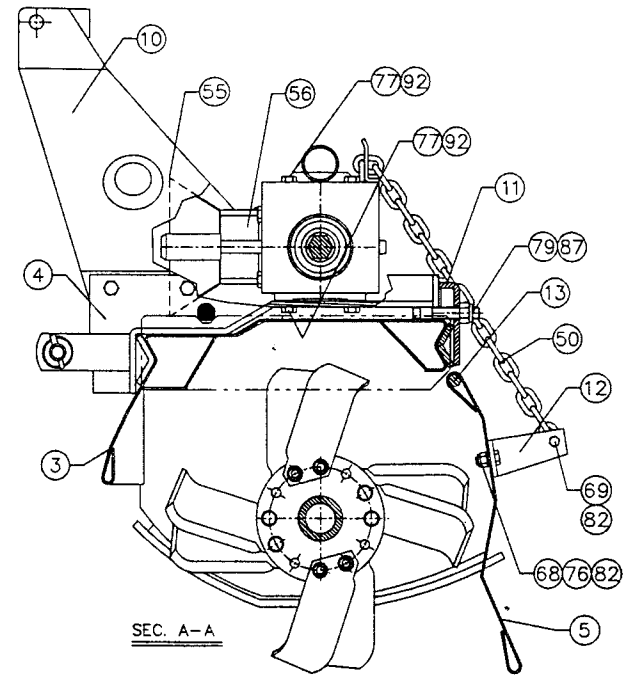
		Denominazione ZAPPATRICE URT-E/D ASSEMBLATO MONTAGGIO	
Gruppo	1:2.5 10/25/20	Dis. No.	1071-001-A1-E



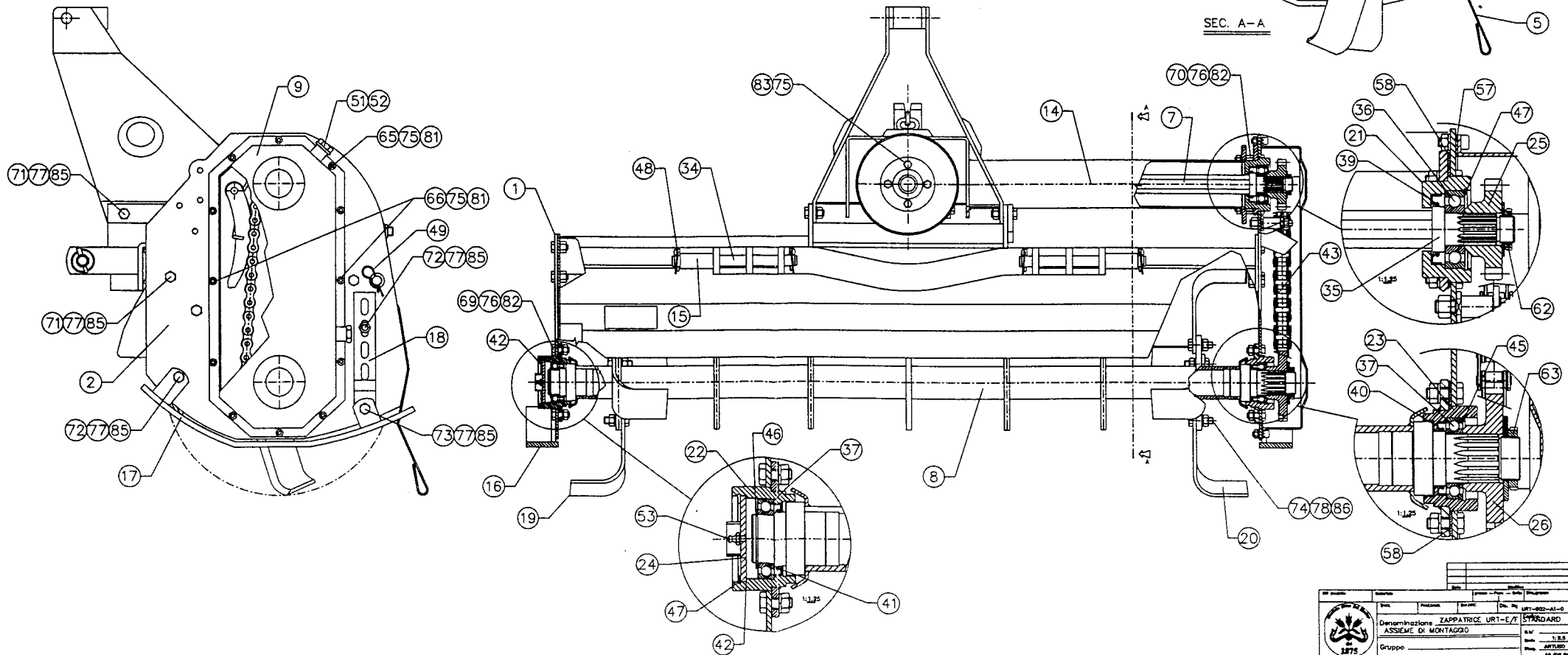
SUPPORT ARM



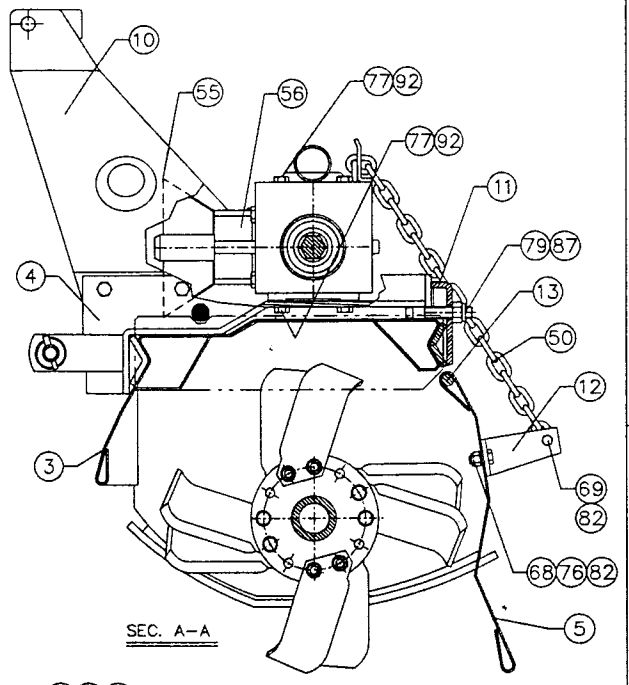
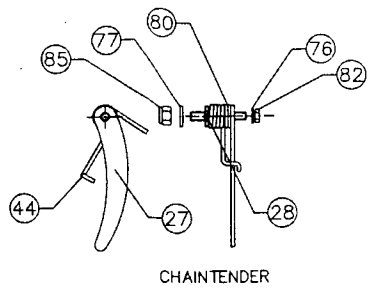
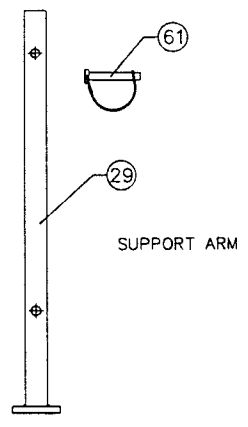
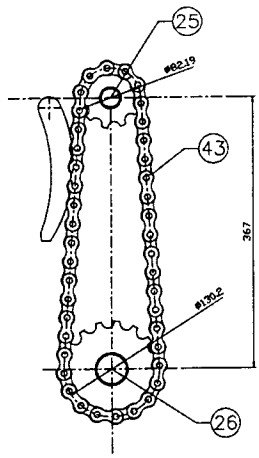
CHAIN TENDER



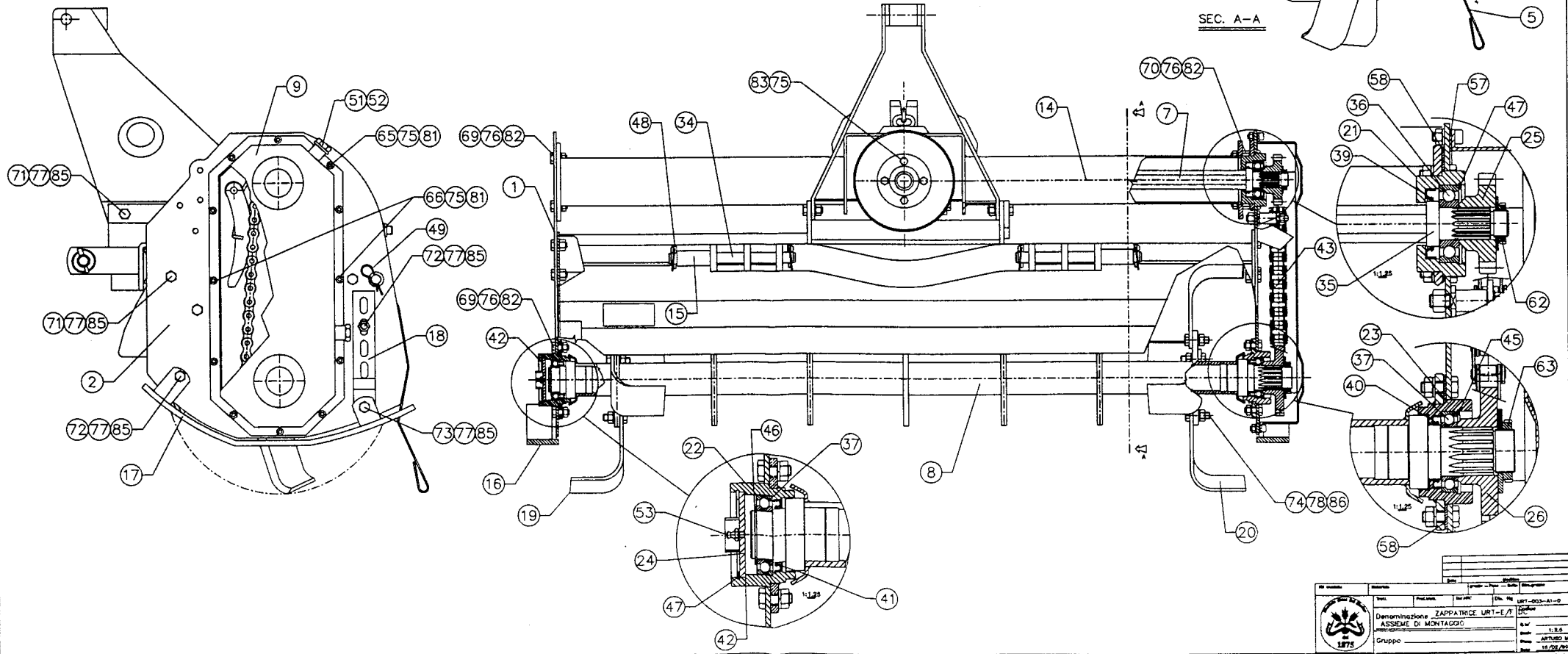
SEC. A-A



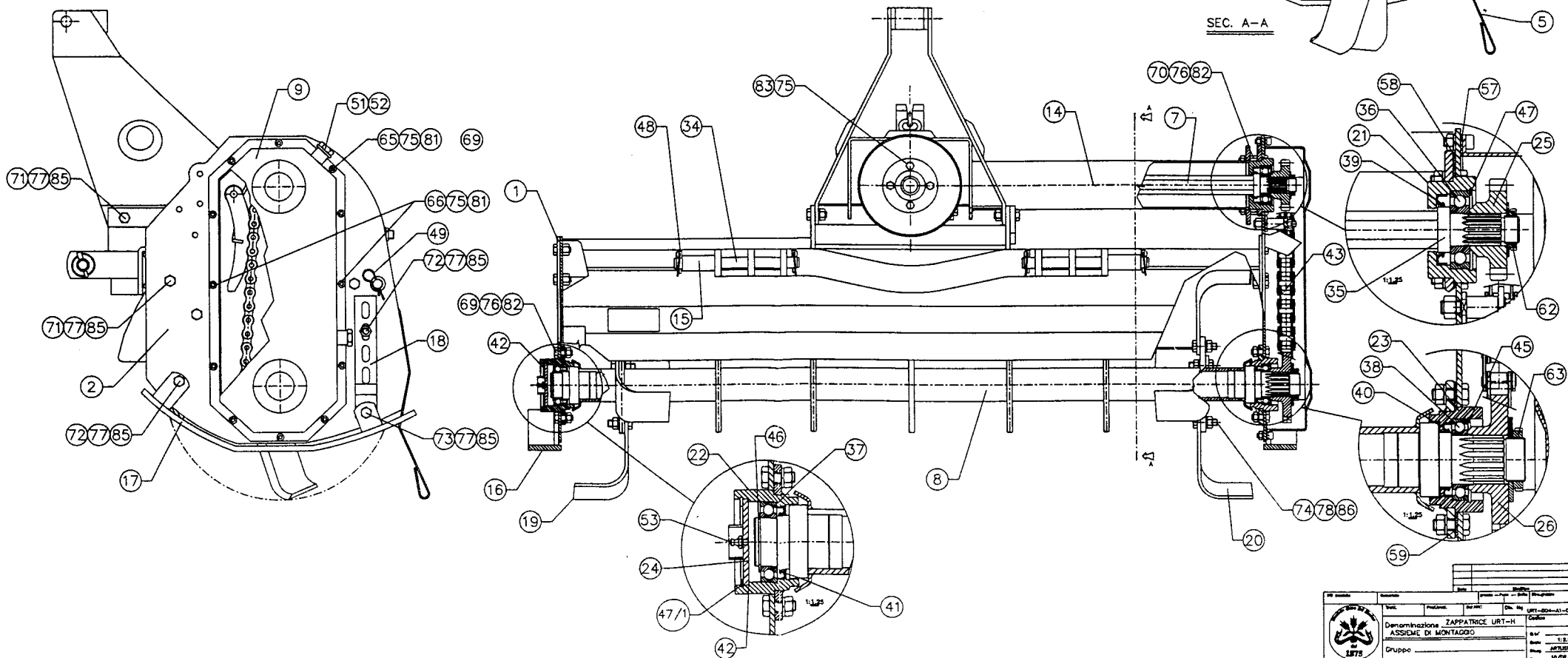
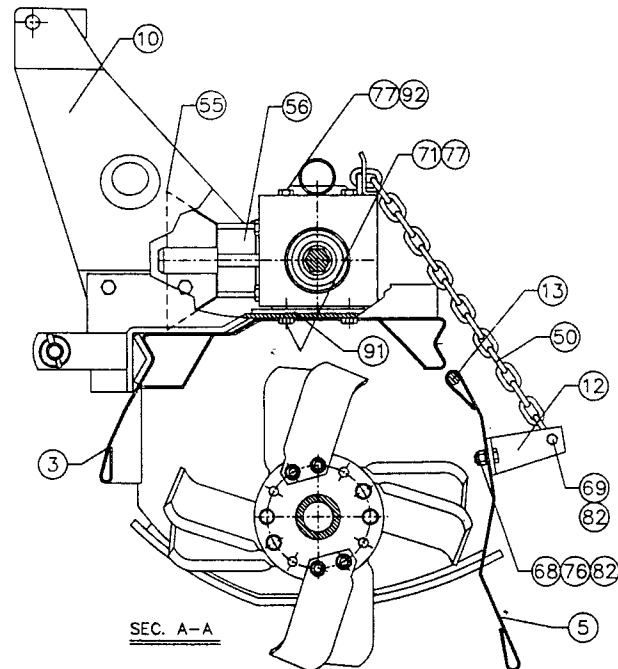
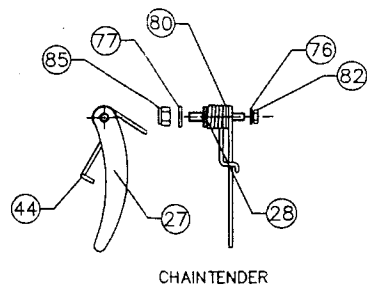
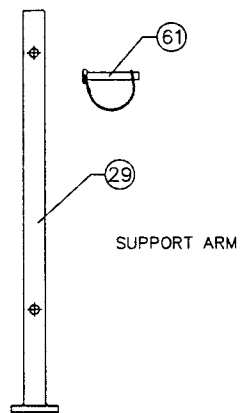
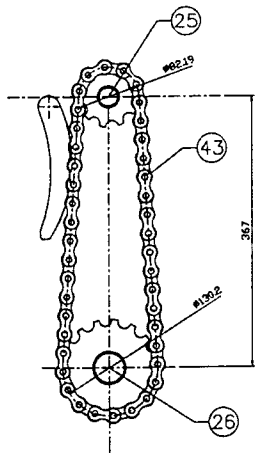
		Denominazione ZAPPATRICE URT-E/F		Dis. No. URT-002-A1-0	
ASSEMBLAMENTO		STANDARD		Scale 1:1.0	
Gruppo		ARTURO M.		Data 10/02/78	



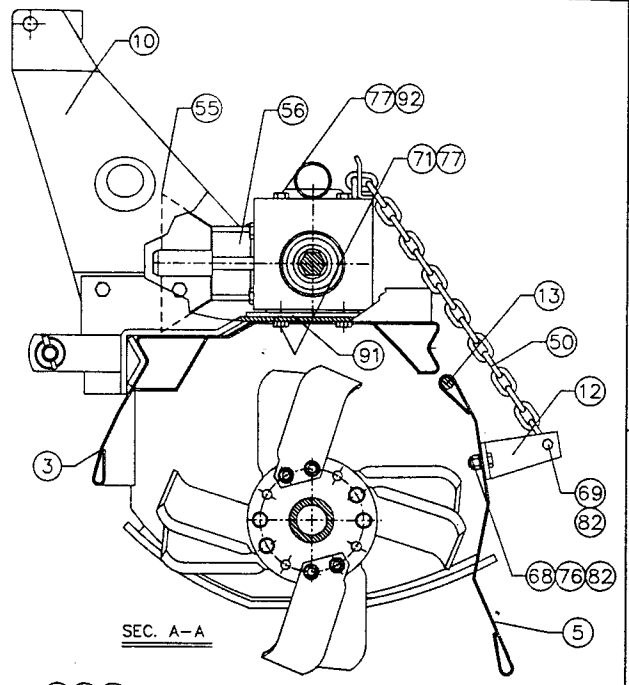
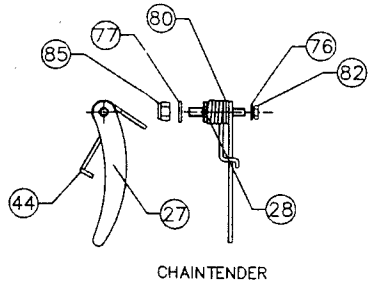
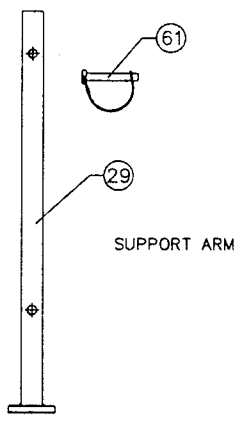
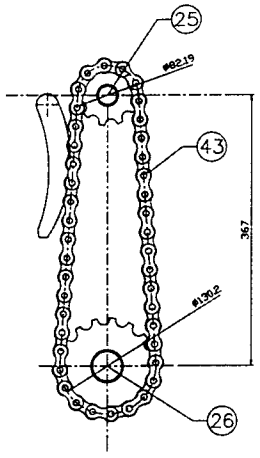
SEC. A-A



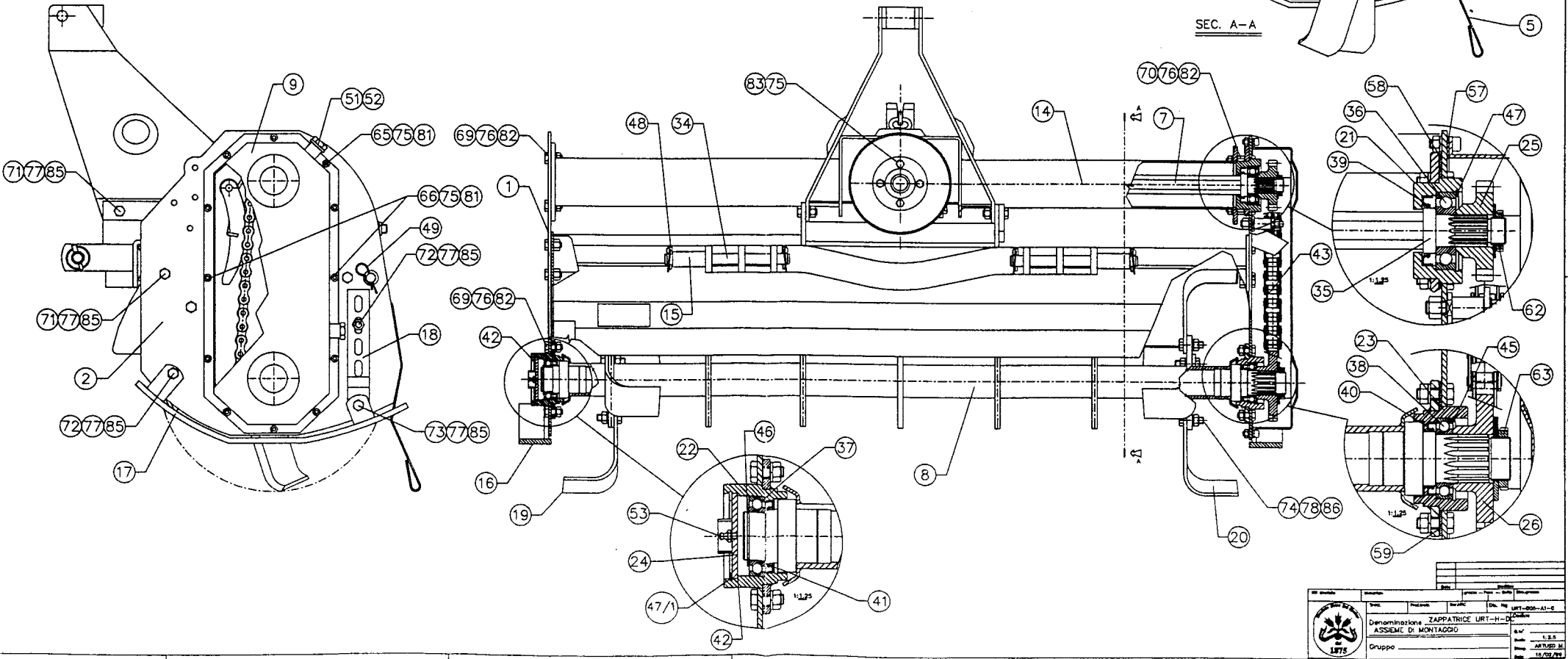
	Denominazione ZAPPATRICE URT-E/7	Disegnato 1975
	Gruppo ASSEMBLATO	Verificato 1975



		Denominazione: ZAPPATRICE URT-H ASSIEME DI MONTAGGIO		scala: 1:8.5 data: 20/05/82 disegno: 147/82/01
Gruppo:		1878		147/82/01



SEC. A-A



		Denominazione ZAPPATRICE LRT-H-D ASSEMBL. DI MONTAGGIO	
Gruppo	1875	18/23/24	18/23/24